



SEGMENT BALL VALVE SERIES

V型球阀系列

V型球阀 Segment ball valve

阀杆Stem:

阀杆采用精磨削加工,与执行器配合精度高,使阀门回差小
The valve stem adopts fine grinding process to match the actuator with high precision, which makes the valve return difference small.

填料Packing:

填料选用V型,密封性好
Adopt V type packing for excellent sealing.

轴承Bearing:

轴承采用自润滑轴承承载力高,摩擦系数小,减少了操作扭矩
The self-lubricated bearing has high bearing capacity, low friction coefficient and reduced operating torque.

球Ball:

V型开口的球,球面进行镀铬、离子氮化或超音速喷涂,提高表面硬度,使球口具有坚硬锋利的刃口对介质具有剪切功能
The ball surface of V-shaped opening is processed with hard chromium, ion nitriding or supersonic spraying to improve the surface hardness, so that the ball mouth keeps a hard and sharp edge to shear the medium.

阀体Body:

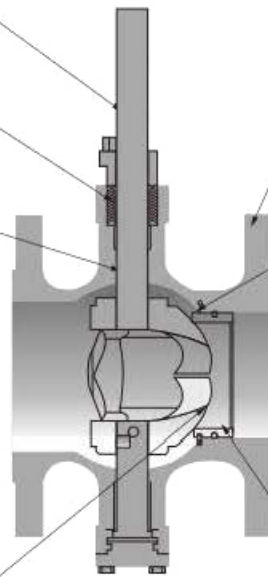
阀体采用整体式结构刚性好,减少了外漏的可能性
The body adopts the integral structure with good rigidity to reduce the possibility of out-leakage.

弹簧Spring:

弹簧采用特殊的六角弹簧,在提供预紧力的同时,减少了球和阀座之间的摩擦力,使阀门操作扭矩变小
The spring uses a special hexagon spring, which provides pretightening force, meanwhile reduces the friction between the ball and the seat also the operating torque of valve.

阀座Seat:

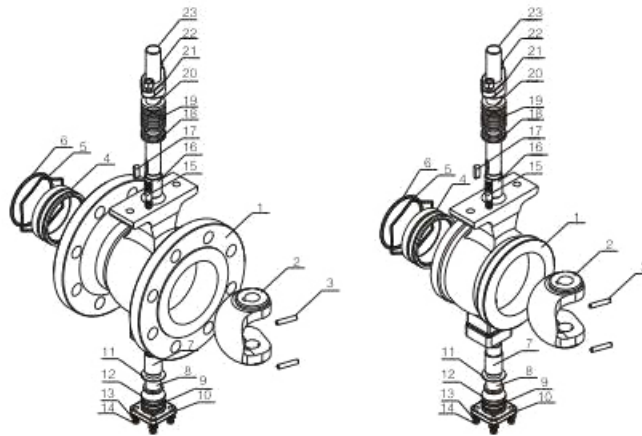
特殊的无阀盖式设计,使阀座与阀体之间无死角,介质不易积存,固体颗粒介质不会产生卡死现象
The special non-bonnet design allows no dead angle between the seat and the body, makes the medium is not easy to accumulate, and avoids stuck phenomenon of the solid particle media.



V型球阀是球阀的一种,它的关闭件是半球体上开有V字型开口。V型开口具有锋利的刃口,在球体回转过程中,关闭件之间有擦拭作用,对介质具有强有力的切断力,球体的V型开口与阀座流道形成一个扇形区域,在回转过程中可改变流道截面积,形成对介质的精确调节,它是一种角回转的调节阀,其密封性能与普通球阀相同,使它同时具备调节和开关两种功能,与气动或电动执行器配套,广泛用于工业过程自控系统中。

The segment ball valve is a kind of ball valve with a hemisphere of V-shaped opening as closing part. V-shaped opening has a sharp edge provides a wiping between the closing parts while rotating, and it has a sharp cut off to the medium. V-shaped opening port and the valve seat form a fan-shaped area to change the port cross area, creating a precision adjustment of medium during rotary. It is a kind of adjusting valve with angle rotation, with the same seal performance as common ball valve, which makes it have a combination of regulation and on-off functions, equipped with pneumatic or electric actuators, being widely used in industrial process auto-control system.

V型球阀 Segment ball valve



主要零件材料 Accessories materials

序号 NO.	名称 Name	数量(件) Quantity	材料 Material		
1	阀体 Body	1	WCB	CF8	CF8M
2	阀芯 Ball cylindrical	1	CF8表面镀硬铬 CF8 hard chrome plated	CF8表面镀硬铬 CF8 hard chrome plated	CF8M表面镀硬铬 CF8M hard chrome plated
3	圆柱销 Pin	2	304	316	316
4	阀座 Seat	1	304堆焊硬质合金 304 weld overlay hard alloy	304堆焊硬质合金 304 weld overlay hard alloy	316堆焊硬质合金 316 weld overlay hard alloy
5	弹簧 Spring	1	17-7PH	17-7PH	17-7PH
6	O型圈 o-ring	1	氟橡胶 Viton	氟橡胶 Viton	氟橡胶 Viton
7	自润滑轴承 Self-lubricated bearing		304+PTFE	304+PTFE	316+PTFE
8	下阀杆 Lower stem	1	17-4PH	17-4PH	17-4PH
9	O型圈 O-ring	1	氟橡胶 Viton	氟橡胶 Viton	氟橡胶 Viton
10	后压盖 Back gland	1	WCB	CF8	CF8M
11	环垫 Ring gasket	1	PTFE	PTFE	PTFE
12	调节垫片 Adjusting gasket	1	PTFE	PTFE	PTFE
13	平垫片 Flat gasket	4	Q235	304	304
14	螺栓 Bolt	4	25#	304	304
15	双头螺柱 Stud	2	25#	304	304
16	自润滑轴承 Self-lubricated bearing	1	304+PTFE	304+PTFE	316+PTFE
17	平键 Flat key	1	304	304	316
18	下填料 Lower packing	1	PTFE	PTFE	PTFE
19	中填料 Middle packing	1组	PTFE	PTFE	PTFE
20	上填料 Upper packing	1	PTFE	PTFE	PTFE
21	填料压盖 Packing gland	1	WCB	CF8	CF8M
22	螺母 Nut	2	304	304	304
23	上阀杆 Upper stem serial	1	17-4PH	17-4PH	17-4PH

V型球阀 Segment ball valve

产品类型 The type of products

DN25-DN250(1"-10") 对夹式、法兰式结构 Wafer, flange DN300-DN500(12"-20") 法兰式结构 Flange
 压力等级 Class: DIN PN10, PN16, PN25, PN40, PN63
 ANSI 150, ANSI 300, ANSI 600

设计标准 Design standard

- 1、法兰标准 Flange standard: GB/T 9113.1-2010, JB/T 79.1-1994, HG 20592-2009 ASME B 16.5 EN 1092.1:2001
- 2、压力-温度额定值 Pressure-temperature rated value: GB/T 12224-2007 ASME B 16.34-2003 ISO 7005-1
- 3、结构长度标准: 对夹式: 企业标准 Face to face standard ; wafer ; enterprise standard
 法兰式 Flange: ISA S75.04-1995, IEC/DIN 534-3-2
- 4、适应温度范围 Temperature range: -29°C-150°C 常温型 Normal temperature type
 -29°C-250°C 中温型 Middle temperature type
 -29°C-500°C 高温型 High temperature type

5、密封与强度试验标准 Seal and strength test:

强度及密封试验标准 Strength and seal test standard: GB/T 4213-2007

硬密封等级: 用户无特殊要求时按下表标准, 用户要求时可以按 GB/T 4213-2007 V 级标准执行。

强度试验压力是按公称压力的 1.5 倍, 填料及法兰处密封试验是按公称压力的 1.1 倍压力进行, 阀座密封是按最大使用压差来进行试验, 当最大使用压差不明确时按 1.0Mpa(水压)试验, 当最大压差小于 0.6Mpa 时按 0.6Mpa 压力进行试验, 介质是带有缓蚀阻垢剂的水进行试验。

Hard seal class: comply with standard GB/T 4213-2007 V grade per user's request, otherwise follow the below table standard.

Strength test pressure conducted with 1.5 times of the nominal pressure, packing and flange sealing tests with 1.1 times of the nominal pressure, valve seat seal is tested according to the maximum differential pressure, when the maximum differential pressure is undefined, conduct the test (hydraulic pressure) with a pressure of 1.0Mpa, when the maximum differential pressure less than 0.6Mpa, use 0.6Mpa for pressure test, medium for the test is water with corrosion inhibitor.

阀座最大允许泄漏量 Seat maximum allowable leakage

软密封阀座 Soft seat: 0.6Mpa 压缩空气, 无泄漏 0.6Mpa compressed air, no leakage

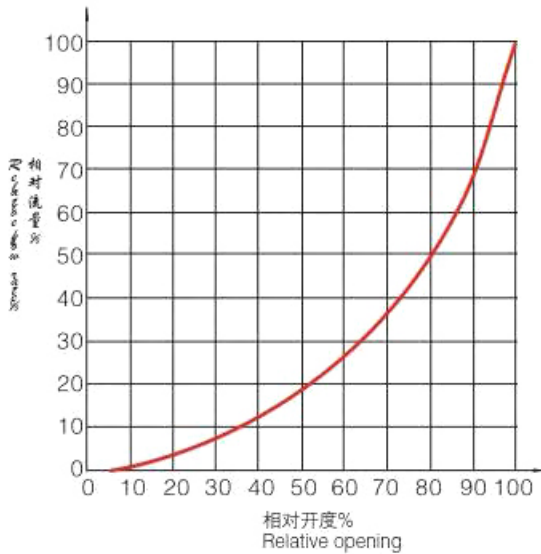
硬密封阀座 Hard seal seat: 1、按客户要求制作 Comply with client's request

2、在无特殊要求情况下按 GB/T 4312 V 级密封, 具体泄漏量如下表

According to GB/T 4312 V grade for seal without special request, and the definite leakage is as the table below.

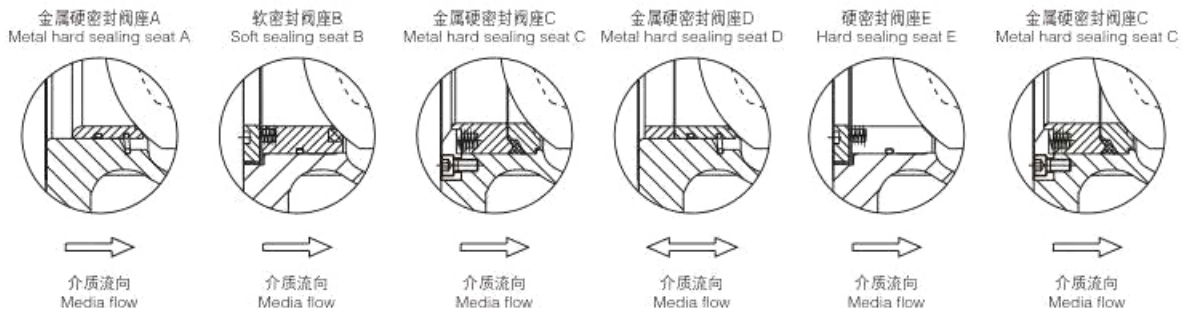
规格 Specification	硬密封最大允许泄漏量 Hard seal maximum allowable leakage
DN25(1")	0.15ml/min
DN32(1 1/4")	0.18ml/min
DN40(1 1/2")	0.24ml/min
DN50(2")	0.30ml/min
DN65(2 1/2")	0.39ml/min
DN80(3")	0.48ml/min
DN100(4")	0.60ml/min
DN125(5")	0.75ml/min
DN150(6")	0.90ml/min
DN200(8")	1.20ml/min
DN250(10")	1.50ml/min
DN300(12")	1.80ml/min
DN350(14")	2.10ml/min
DN400(16")	2.40ml/min
DN450(18")	2.60ml/min
DN500(20")	3.00ml/min

V型球阀 Segment ball valve



标准产品Cv值表 Standard products CV value table

规格 Specification	Cv值 CV value
DN25(1')	27
DN32(1 1/4')	47
DN40(1 1/2')	70
DN50(2')	110
DN65(2 1/2')	170
DN80(3')	280
DN100(4')	410
DN125(5')	750
DN150(6')	980
DN200(8')	1720
DN250(10')	2900
DN300(12')	3800
DN350(14')	7000
DN400(16')	9800
DN450(18')	12000
DN500(20')	23000



各种阀座结构应用 Various seat structure applications

金属硬密封阀座A、E Metal hard sealing seat A, E

阀座 Seat	304/316+司太立合金 304/316+stellite
弹簧 Spring	17-7PH/Inconel-x75
O形圈 O-ring	氟橡胶 Viton
填料 Packing	PTFE
球表面硬化处理 Hardening treatment of ball surface	镀硬铬/氮化/喷涂WC/喷涂STL Hard chromium plating/nitriding/WC spraying/STL spraying
适应的温度范围 Applicable temperature range	-29°C-150°C
适应的介质类型 Applicable media	水/油/汽/固体颗粒/悬浮 Water/oil/gas/solid particles/suspension

金属硬密封阀座A、E Metal hard sealing seat A, E

阀座 Seat	304/316+司太立合金 304/316+stellite
弹簧 Spring	17-7PH/Inconel-x75
O形圈 O-ring	高温氟橡胶 High temperature fluororubber
填料 Packing	石墨 Graphite
球表面硬化处理 Hardening treatment of ball surface	镀硬铬/氮化/喷涂WC/喷涂STL Hard chromium plating/nitriding/WC spraying/STL spraying
适应的温度范围 Applicable temperature range	-29°C-250°C
适应的介质类型 Applicable media	水/油/汽/固体颗粒/悬浮 Water/oil/gas/solid particles/suspension

V型球阀 Segment ball valve

各种压力等级下所承受的最大压力和相应的扭矩值表

The maximum pressure under various pressure levels and the corresponding torque table.

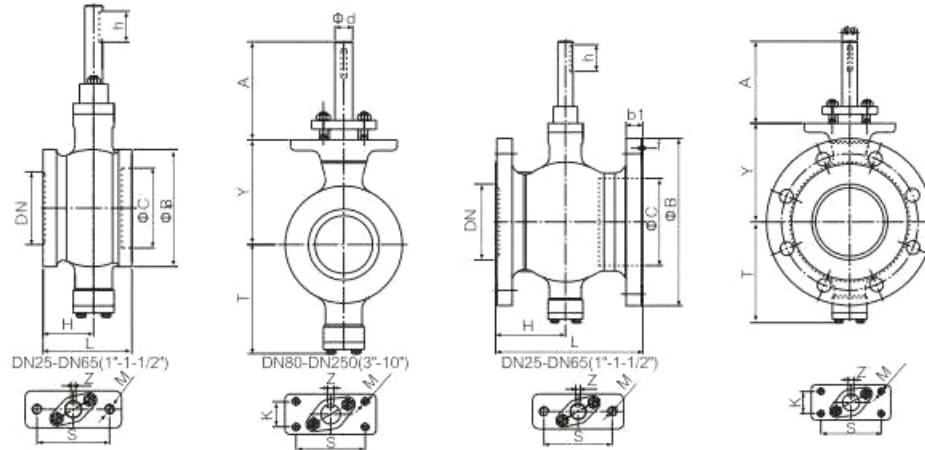
公称口径 Nominal diameter	(PN16)承载压力 Bearing pressure	扭矩N.M Torque	(PN25)承载压力 Bearing pressure	扭矩N.M Torque	(PN40)承载压力 Bearing pressure	扭矩N.M Torque	(PN63)承载压力 Bearing pressure	扭矩N.M Torque
DN25	1.0MPa	32	1.8MPa	40	3.0MPa	60	4.0MPa	100
DN32	1.0MPa	40	1.8MPa	48	3.0MPa	60	4.0MPa	100
DN40	1.0MPa	76	1.8MPa	95	3.0MPa	110	4.0MPa	220
DN50	1.0MPa	90	1.8MPa	110	3.0MPa	120	4.0MPa	250
DN65	1.0MPa	100	1.8MPa	132	3.0MPa	207	4.0MPa	320
DN80	1.0MPa	140	1.8MPa	170	3.0MPa	210	4.0MPa	320
DN100	1.0MPa	150	1.8MPa	185	3.0MPa	250	4.0MPa	530
DN125	1.0MPa	200	1.8MPa	300	3.0MPa	540	4.0MPa	740
DN150	1.0MPa	300	1.8MPa	420	3.0MPa	660	4.0MPa	1020
DN200	1.0MPa	500	1.8MPa	640	3.0MPa	1000	4.0MPa	1450
DN250	1.0MPa	800	1.8MPa	1270	3.0MPa	1980	4.0MPa	2500
DN300	1.0MPa	1400	1.8MPa	1570	3.0MPa	2430	4.0MPa	3000
DN350	1.0MPa	2000	1.8MPa	2800				
DN400	1.0MPa	2900	1.8MPa	3650				
DN450	1.0MPa	3400	1.8MPa	4080				
DN500	1.0MPa	5000	1.8MPa	6000				

PN16V型球阀执行器配置表PN 16 V-shaped ball valve actuator configuration table

V型球阀执行器配置表V-shaped ball valve actuator configuration table												
DN mm	气动执行器Pneumatic actuator				配GT精小型执行器With GT mini actuator				电动 Electric	蜗轮 Actuator gear	气动配用气管 Pneumatic connecting pipe	气源压力 Bleed pressure (MPa)
	ZS	手动 Manual	ZDS	手动 Manual	DA	手动 Manual	SR	手动 Manual				
25	ZS35-63	26:1	ZDS45-100	38:1	63	26:1	75	28:1	50	1	Φ6x1(G1/4)	0.5-0.7
32	ZS36-63	26:1	ZDS45-100	38:1	63	26:1	75	28:1	50	1		
40	ZS36-80	28:1	ZDS45-100	38:1	8/3	28:1	92	38:1	10	1		
50	ZS45-80	28:1	ZDS45-100	38:1	92	28:1	105	38:1	10	1		
65	ZS45-80	28:1	ZDS55-125	38:1	92	28:1	105	38:1	20	2	Φ8x1.5(G1/4)	
80	ZS45-100	38:1	ZDS55-125	38:1	105	38:1	125	38:1	20	2		
100	ZS45-100	38:1	ZDS55-125	54:1	105	38:1	125	54:1	40	2		
125	ZS55-100	54:1	ZDS55-125	54:1	125	54:1	140	54:1	40	3		
150	ZS55-125	54:1	ZDS63-160	80:1	140	54:1	160	80:1	40	3	Φ10x2(G3/8)	
200	ZS63-160	54:1	ZDS63-200	80:1	160	54:1	210	80:1	60	4		
250	ZS80-200	80:1	ZDS80-250	78:1	190	80:1	210	78:1	100	5		
300	ZS80-250	80:1	ZDS100-300	78:1	240	80:1	270	78:1	150	5		
350	ZS100-300	78:1	ZDS125-300	98:1	270	78:1	300	98:1	200	5	Φ12x2(G1/2)	
400	ZS100-300	78:1	ZDS125-350	98:1	300	78:1	350	98:1		6		
450	ZS125-350	320:1	ZDS125-400	320:1	350	320:1	400	320:1		6		
500	ZS125-350	320:1	ZDS125-400	320:1	350	320:1	400	320:1		8		

V型球阀 Segment ball valve

V型球阀阀体外形尺寸 Dimensions of body



PN10/PN16/150Lb(对夹式Wafer)

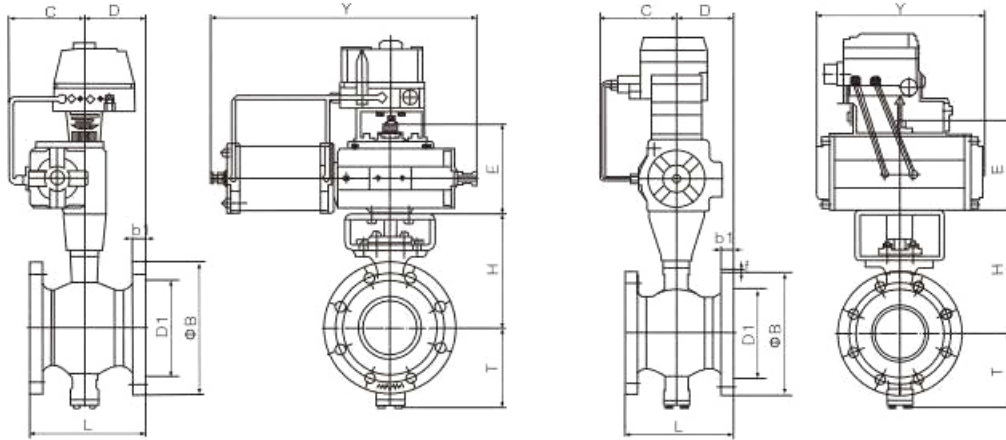
DN	L	B	C	T	Y	A	ϕd	h	S	K	M	Z
25	50	68	38	81	73	75	16	35	75	/	2-M10	5
32	60	76	45	86	78	75	16	35	75	/	2-M10	5
40	60	84	50	90	80	75	16	35	75	/	2-M10	5
50	75	100	62	93	90	75	16	35	75	/	2-M10	5
65	100	118	73	108	105	75	16	35	75	/	2-M10	5
80	100	132	90	123	118	75	20	35	90	8	4-M10	6
100	115	158	115	138	130	75	20	35	90	28	4-M10	6
125	129	184	134	148	145	80	24	40	90	28	4-M10	8
150	160	216	164	170	170	94	28	50	110	40	4-M12	8
200	200	268	206	200	201	94	30	50	110	40	4-M12	8
250	240	326	260	240	237	98	40	60	135	40	4-M16	12

PN16(法兰式Flange)

DN	L	B	C	b1	f	T	Y	A	ϕd	h	S	K	M	Z
25	102	115	38	16	2	81	73	75	16	35	75	/	2-M10	5
32	102	140	45	18	2	86	78	75	16	35	75	/	2-M10	5
40	114	150	50	18	2	90	80	75	16	35	75	/	2-M10	5
50	124	165	62	20	2	93	90	75	16	35	75	/	2-M10	5
65	145	185	73	20	2	108	105	75	16	35	75	/	2-M10	5
80	165	200	90	20	2	123	118	75	20	35	90	28	4-M10	6
100	194	220	115	22	2	138	130	75	20	35	90	28	4-M10	6
125	194	250	134	22	2	148	145	80	24	40	90	28	4-M10	8
150	229	285	164	24	2	170	170	94	28	50	110	40	4-M12	8
200	243	340	206	24	2	200	201	94	30	50	110	40	4-M12	8
250	297	405	260	26	2	240	237	98	40	60	135	40	4-M16	12
300	338	460	316	28	2	286	282	98	40	60	135	40	4-M16	12
350	400	520	372	30	2	330	337	125	50	60	140	64	4-M16	14
400	400	580	420	32	2	367	372	172	60	80	170	80	4-M20	18
450	520	640	470	40	2	422	432	172	70	90	190	90	4-M24	20
500	600	715	516	44	2	490	498	180	80	100	190	90	4-M24	22

V型球阀 Segment ball valve

气动法兰式V型球阀外形尺寸Dimensions of pneumatic flanged



PN16

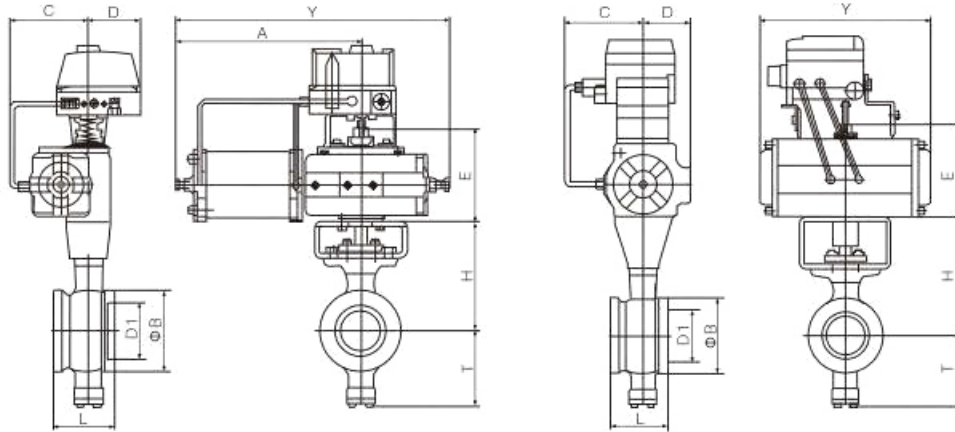
DN	L	B	b1	f	D1	T	E	H	Y	C	D
25	102	115	16	2	38	81	168	163	73	120	85
32	102	140	18	2	45	86	168	168	78	120	85
40	114	150	18	2	50	90	204	170	80	130	85
50	124	165	20	2	62	93	262	180	90	130	85
65	145	185	20	2	73	108	262	195	105	130	85
80	165	200	20	2	90	123	268	210	118	145	90
100	194	220	22	2	115	138	268	220	130	145	97
125	194	250	22	2	134	148	300	235	145	160	102
150	229	285	24	2	164	170	390	270	170	160	129
200	243	340	24	2	206	200	460	300	201	175	123
250	297	405	26	2	260	240	525	375	237	195	149
300	338	460	28	2	316	286	600	420	282	220	158
350	400	520	30	2	372	330	720	500	337	250	179
400	400	580	32	2	420	367	740	550	372	260	180
450	520	640	40	2	470	422	740	650	432	260	230
500	600	715	44	2	516	490	860	720	498	260	280

150Lb

inch	L	B	b1	f	D1	T	E	H	Y	C	D
1"	102	108	14.5	2	38	81	168	163	73	120	85
1 1/4"	102	115	14.5	2	45	86	168	168	78	120	85
1 1/2"	114	127	14.5	2	50	90	204	170	80	130	85
2"	124	152	16.3	2	62	93	262	180	90	130	85
2 1/2"	145	180	18	2	73	108	262	195	105	130	85
3"	165	191	19.5	2	90	123	268	210	118	145	90
4"	194	230	24	2	115	138	268	220	130	145	97
5"	194	255	24.3	2	134	148	300	235	145	160	102
6"	229	280	26	2	164	170	390	270	170	160	129
8"	243	340	29	2	206	200	460	300	201	175	123
10"	297	405	30.6	2	260	240	525	375	237	195	149
12"	338	485	32.2	2	316	286	600	420	282	220	158
14"	400	535	35.4	2	372	330	720	500	337	250	179
16"	400	595	37	2	420	367	740	550	372	260	180
18"	520	635	40.1	2	470	422	740	650	432	260	230
20"	600	700	44	2	516	490	860	720	498	260	280

V型球阀 Segment ball valve

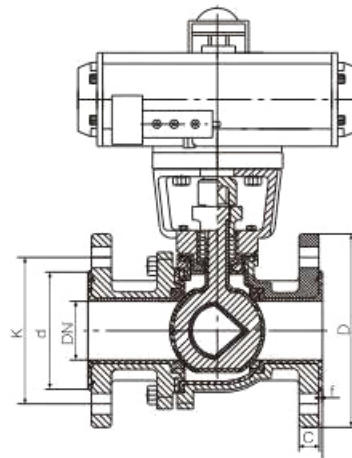
气动对夹式V型球阀外形尺寸 Dimensions of pneumatic wafer



PN16/PN25/PN150

DN	L	B	D1	T	E	H	Y	A	C	D
25	50	68	38	81	390	133	73	270	105	85
32	60	76	45	86	390	138	78	270	105	85
40	60	84	50	90	395	140	80	275	115	85
50	75	100	62	93	395	150	90	275	115	85
65	100	118	73	108	440	165	105	296	125	85
80	100	132	90	123	445	178	118	300	135	85
100	115	158	115	138	445	190	130	300	135	85
125	129	184	134	148	507	205	145	343	155	85
150	160	216	164	170	507	235	170	343	170	85
200	200	268	206	200	617	265	201	418	200	85
250	240	326	260	240	742	317	237	520	260	92

衬氟V型调节球阀 Tefulong V type ball valve



概述summary

衬氟V型切断球阀是一种360度直角回转的高级控制阀，它与阀门定位器配套使用，可实现比例调节；与二位五通电磁阀及控制箱配套使用，可实现开关控制。V型球阀阀芯设计成带有特殊形式的V型口（V型口可根据不同的角度来实现调节精度）具有精确的流量特性和控制能力，适用于各种控制场合。额定流量系数大，可调比大，密封性能优越，结构紧凑，体积小，可竖卧安装等优点。由于阀芯和阀座之间是无间隙回转，所以具有很大的剪切及自洁能力，尤其适用于含有纤维性或软质颗粒的悬浮液的控制。在与流体接触的阀体内壁和阀内组件均采用高温模压衬氟塑工艺，包覆一层聚全氟乙烯(F46)、聚四氟乙烯(PTFE)、可溶性聚四氟乙烯(PFA)等防腐蚀材料，完全能达到切断腐蚀性介质与阀体外壳的接触，具有密封性能好，动作灵敏、流体通道呈V型、压降损失小、阀容量大、流量特性精确，配用电一气阀门定位或气动阀门定位器，可实现对工艺管路流体介质的自动调节控制，广泛应用于酸、碱等强腐蚀性介质和有毒、易挥发、易渗透等气体、液体类介质的控制。

The fluorine V type ball valve is a kind of advanced control valve of 360 degree angle rotation ,which is used with valve positioner to realize proportional adjustment.it can be used with two-position five-port solenoid valve and control box to realize on-off control.V-shaped ball valve core is designed with a special V-shaped mouth(V-shaped mouth can be adjusted according to the different angle to achieve precision)that keeps accurate flow characteristic and control ability,which is suitable for various control occasions.With advantage of large rated flow coefficient,adjustable ratio,superior sealing performance, compact structure,small size,it can be installed in the vertical and horizontal position and so on,since there is zero clearance rotation between the valve core and the seat,it has great shear and self-cleaning capacity,especially for the control of suspension liquid with fibrous or soft particles.High temperature mould pressing fluorine lining process is applied to both the inner wall of the valve body which contact with liquid and the inner parts of the valve,coating a layer of soluble anti-corrosion materials of fep(f46),polytetef(PTFE),PTFE (PFA) etc.,which can achieve completely cut off contact of the valve body shell and corrosion medium, has good seal performance,quick action. shaped fluid channel provides small pressure drop loss,large capacity of valve, accurate flow characteristic,match with electrical-pneumatic valve positioning or pneumatic valve positioner,it can realize automatic adjustment control of process piping fluid,widely applied to the control of strong corrosive medium such as acid,alkali and toxic and volatile,permeable gas and liquid.

产品Product

1. 耐腐蚀：几乎能耐所有的介质（包括浓硝酸和王水）的腐蚀；
2. 流通能力大，且介质流向不受限制；
3. 密封性能好、泄漏量小；密封阀座采用聚四氟乙烯，具有可靠的密封性和自润滑性，泄漏量低；
4. 除适用于一般的气、液体外，更适用于高粘度以及带有纤维状和悬浮软质颗粒的介质；
5. 结构简单维修方便；
6. 配多弹簧的齿轮齿条气动执行机构，以及角行程的电动执行机构，方便各种环境适用，是目前用量相当大的控制和切断系统。

1. Corrosion resistance: resist to the corrosion of almost all medium (including concentrated nitric acid and aqua regia);
2. Large flow capacity and no restrictions to media flow;
3. Good sealing performance and small leakage;adopting the sealed seat PTFE,which has reliable sealing ,self-lubricated performance and low leakage;
4. In addition to the general gas and liquid,it is more suitable for medium with high viscosity ,fibrous and suspended soft particles;
5. Simple structure for convenient maintenance;
6. Equipped with multi-spring gear rack pneumatic actuator,and the electric actuator of angular travel,it is convenient for application of all kinds of environments,and being largely used on control and cut-off system.

衬氟V型调节球阀 Tefulong V type ball valve

主要零部件材料Main parts material

名称Name	材质Material
阀体、阀盖、球芯Body, bonnet, core	WCB、LCB、CF8、CF8M、CF3M
衬里材料Lining material	PO、PE、PP、F46、F4、
密封圈、填料、垫片Sealing ring, packing, gasket	聚四氟乙烯PTFE
气动执行机构Pneumatic actuator	组合件(件气动说明书)Assembly parts(pneumatic instruction manual)
电动执行机构Electric actuator	组合件(件电装说明书)Assembly parts (electric instruction manual)

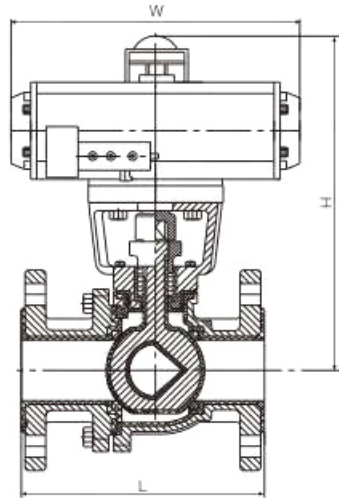
V型球阀V型切口示意图V type ball valve V type incision diagram



技术参数 Technical parameter

公称口径DN Nominal diameter	15	20	25	32	40	50	65	80	100	125	150	200	250	300
额定流量 系数(KV) Rated flow coefficient	7	15	25	50	70	100	180	270	440	680	990	1760	2750	3900
配气动执行机构 With pneumatic actuator	双作用 Double -acting AT52	AT52	AT63S	AT63S	AT75S	AT83	AT92	AT105	AT125	AT140	AT160	AT210	AT270	AT300
配电动执行机构 With electric actuator	单作用 Single -acting AT63S	AT63S	AT75S	AT83S	AT92S	AT105S	AT125S	AT140S	AT160S	AT160S	AT190S	AT240S	AT300S	AT350S
流量特性 Flow characteristic	等百分比 Percentage													
公称压力(MPa) Nominal pressure	0.6MPa、1.0MPa、1.6MPa、2.5MPa、150Lb													
球芯转角 Ball core angle turning	90°													
允许压差(MPa) Allowable pressure differential	为介质工作压力 Medium working pressure													
允许泄漏等级 Permissible leakage level	软密封: VI级(或无泄漏) Soft seal: VI grade (or no leakage)													
动作时间(S) Action time	0.5-7													
信号接管 螺纹/操作压力 Signal to take over thread/operation pressure	M10 x 11/400-800KPa(0.4-0.8MPa)													

衬氟V型调节球阀 Tefulong V type ball valve



主要性能指标 Main performance indicators

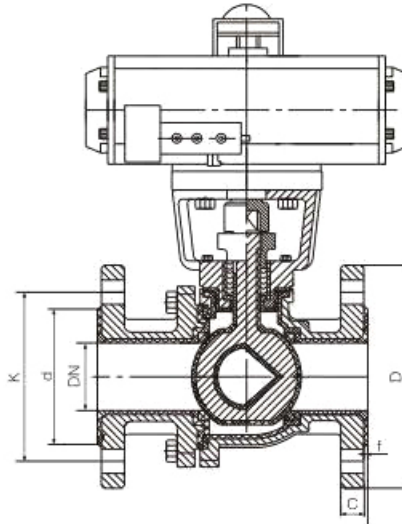
项目 Program	技术指示 Technical instruction	
	不带定位器 No locator	带定位器 With locator
基本误差(%) Basic error (%)		
回差 < (%) Return difference < (%)	± 10	± 1.5
死区 < (%) Dead zone < (%)	8	1.5
泄漏量 Leakage rate	6	0.6
允许泄漏量 Permissible leakage	VI级(或无泄漏) VI grade (or no leakage)	10-4 x 阀额定容量 10-4 x valve rated capacity
可附件 Available accessories	VI级(或无泄漏) VI grade (or no leakage)	5 x 10-6 x 阀额定容量 5 x 10-6 x valve rated capacity
额定流量系数Kv偏差(%) Rated flow coefficient Kv deviation	电气定位器或电/气转换器、空气过滤减压器、电磁阀、手轮机构等 Electrical locator or electric/gas converter, air filter pressure reducer, solenoid valve, hand wheel, etc	

阀体外形尺寸 Body outer dimensions

公称通径 Nominal diameter DN(mm)	15	20	25	32	40	50	65	80	100	125	150	200	250	300
W	145	145	169	169	201	209	242	275	332	385	450	562	722	830
L	140	140	150	165	180	200	220	250	280	320	360	400	450	610
H	205	208	210	232	274	287	327	363	398	432	475	615	740	885

衬氟V型调节球阀

Tefulong V type ball valve



阀体端面法兰连接尺寸Body end flange connection size PN16

公称通径 Nominal diameter		法兰外径 Flange outer diameter	螺栓孔中心距 Bolt hole center distance	密封面直径 Sealing surface diameter	法兰厚度 Flange thickness	密封面高度 Sealing face height	孔数-孔径 Hole number-hole diameter
DN	NPS	D	K	d	C	f	n-Φz
15	1/2	95	65	45	16	2	4-Φ14
20	3/4	105	75	55	18	2	4-Φ14
25	1	115	85	65	18	2	4-Φ14
32	1 1/4	140	100	75	18	2	4-Φ18
40	1 1/2	150	110	85	18	3	4-Φ18
50	2	165	125	100	18	3	4-Φ18
65	2 1/2	185	145	120	18	3	8-Φ18
80	3	200	160	135	20	3	8-Φ18
100	4	220	180	155	20	3	8-Φ18
125	5	250	210	185	22	3	8-Φ18
150	6	285	240	210	22	3	8-Φ22
200	8	340	295	265	24	3	12-Φ22
250	10	405	355	320	26	3	12-Φ26
300	12	460	410	375	28	4	12-Φ26
350	14	520	470	435	30	4	16-Φ26

阀体端面法兰连接尺寸Body end flange connection size ANSI B16.5 150LB

公称通径 Nominal diameter		法兰外径 Flange outer diameter	螺栓孔中心距 Bolt hole center distance	密封面直径 Sealing surface diameter	法兰厚度 Flange thickness	密封面高度 Sealing face height	孔数-孔径 Hole number-hole diameter
DN	NPS	D	K	d	C	f	n-Φz
15	2/1	89	60.5	35	10	2	4-Φ15
20	3/4	98	70	43	11	2	4-Φ15
25	1	108	79.5	51	13	2	4-Φ15
32	1 1/4	117	89	64	14	2	4-Φ15
40	1 1/2	127	98.5	73	16	2	4-Φ15
50	2	152	120.5	92	17	2	4-Φ19
65	2 1/2	178	139.5	105	21	2	4-Φ19
80	3	190	152.5	127	22	2	4-Φ19
100	4	229	190.5	158	22	2	8-Φ19
125	5	254	216	186	22	2	8-Φ22
150	6	279	241.5	216	24	2	8-Φ22
200	8	343	298.5	270	27	2	8-Φ22
250	10	406	362	324	29	2	12-Φ25
300	12	483	432	381	30	2	12-Φ25
350	14	533	476	413	33	2	12-Φ29