

Summary:

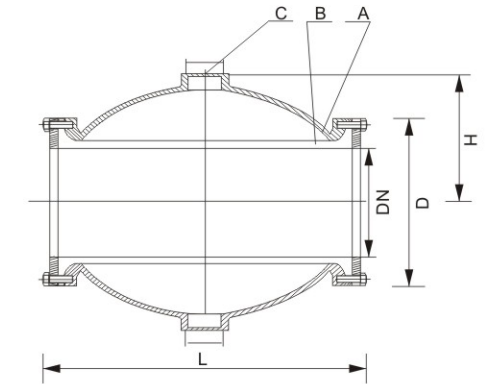
One, the main structural forms:
The valve consists of body, rubber cover, cover and other parts.

Two, the principle of work:
Control medium without input, cavity and the atmosphere between the rubber sleeve and the valve body is communicated with the rubber sleeve, by fluid pressure in the outward tension state. Because the sleeve pipe with reinforcing ply angle arrangement, the tube axial and radial pressure balance each other, so the sleeve length and diameter not because of fluid pressure changes. When the control medium enters into the cavity between the sleeve and the valve body, the closure rubber sleeve deformation under pressure in the medium.

Three, installation and maintenance:
The valve in the pipe installation without any restrictions, the flow direction of medium.
The valve maintenance costs low, only according to the actual usage to replace the rubber sleeves.

The shape size

Caliber	L	H	D	K	n-L
DN40	150	40	145	110	4-18
DN50	180	60	160	125	4-18
DN65	180	60	180	145	4-18
DN80	220	75	195	160	4-18
DN100	280	95	215	180	8-18
DN125	345	120	245	210	8-18
DN150	414	145	280	240	8-23
DN200	550	182	335	295	8-23
DN250	680	229	390	350	12-23
DN300	820	278	440	400	12-23



Working principle:

Pipe clamp valve is to use the body with rubber hose suites fold deformation of hydraulic or air pressure make the tube set of cutting fluid.

Features:

- 1, no pressure loss, no clogging, no leakage, water hammer impact
 - 2, especially for liquid containing particles – solid and gas --- solid two –phase flow. Rubber sleeves with fiber reinforced structure, wear, fatigue technical parameters
 - 3, the body: cast iron DN25 ~ 200 aluminum DN25–300 cast steel DN25–3000 flange connection: cast iron DN25 ~ 300, 316 | DN40–316
- Pipe sleeve material and temperature range:
Natural rubber – 5 ~ 80 °C
The ternary 3–20–5 ~ 120 °C
Food grade, food grade natural rubber hose set
Control medium: compressed air or water pressure
Manual valve automatic control accessories: manual – tee – tee electric valve

Nominal diameter	DN25~200	DN250~300
Working Pressure	max4bar	max3bar
Control pressure	max6bar	max4.5bar
Maximum pressure	ΔP 2bar	Δpmax1.5bar

- A. Body
 - B. Rubber Hose
 - C. control fluid (water or gas) entrance
- Manual / automatic control: plus-way or three-way solenoid valve manual control of compressed air or pressure water into the body

Dimensions

DN	The shape size				Flange standard
	L	H	I	D	
20	155	70	75	105	PN10
25	160	75	155	70	PN10
40	190	85	110	145	PN10
50	210	95	125	160	PN10
65	250	115	145	180	PN10
80	300	130	160	195	PN10
100	350	185	180	215	PN10
150	500	245	240	280	PN10
220	550	270	295	335	PN10
250	560	285	350	390	PN10
300	706	365	400	440	PN10